

## WALL CABINET - TYPE 5B

NTS



Department of  
Veterans Affairs

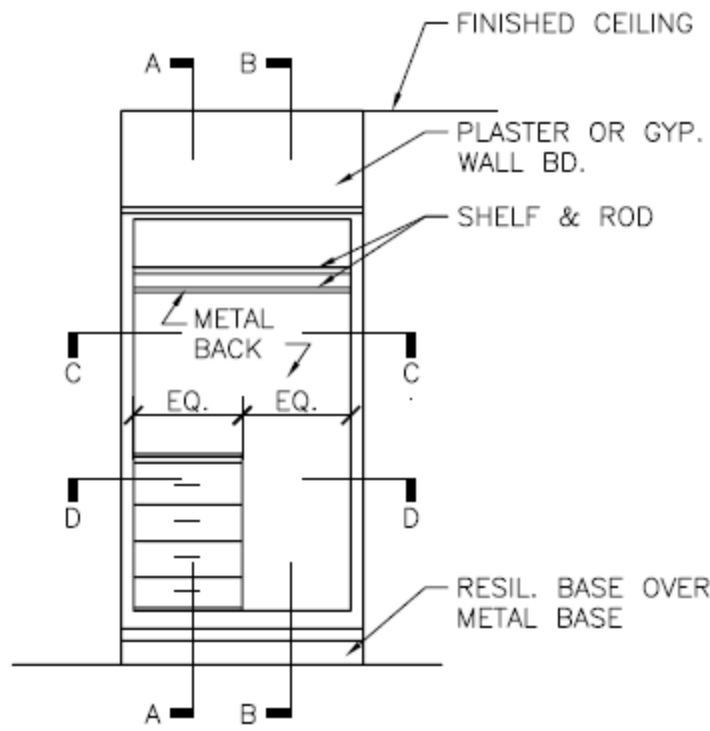
DETAIL TITLE / WALL CABINET - TYPE 5B

SCALE :NONE

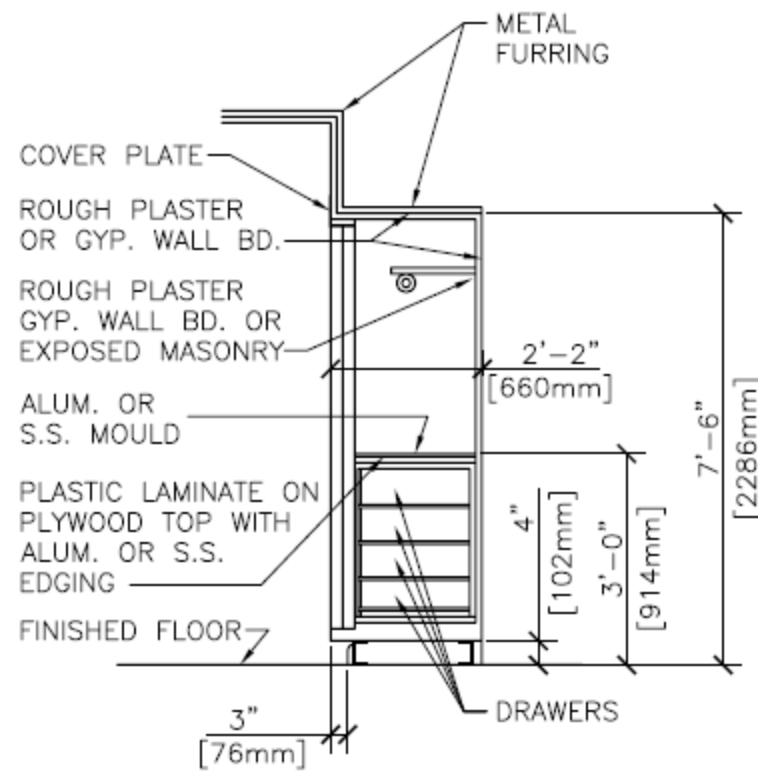
DATE ISSUED: DECEMBER 2008

CAD DETAIL NO.:

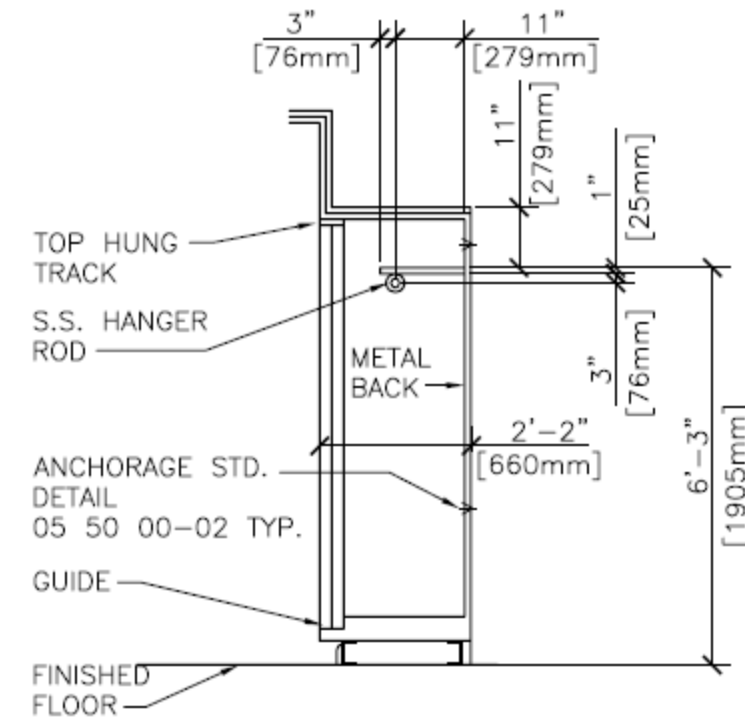
SD123100-01.DWG



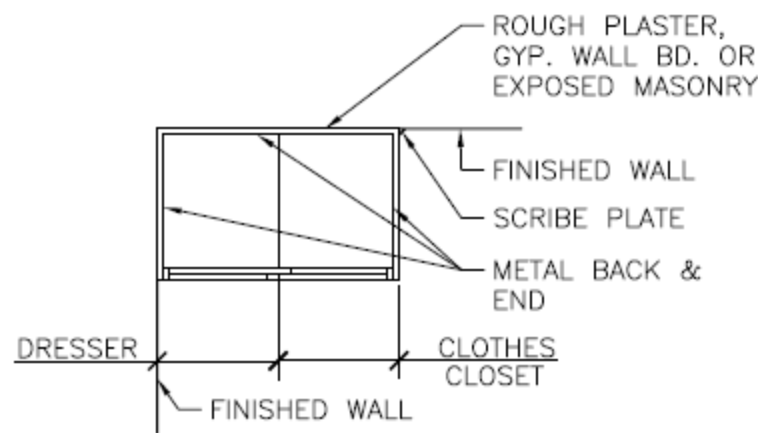
ELEVATION  
(WITH DOORS REMOVED)



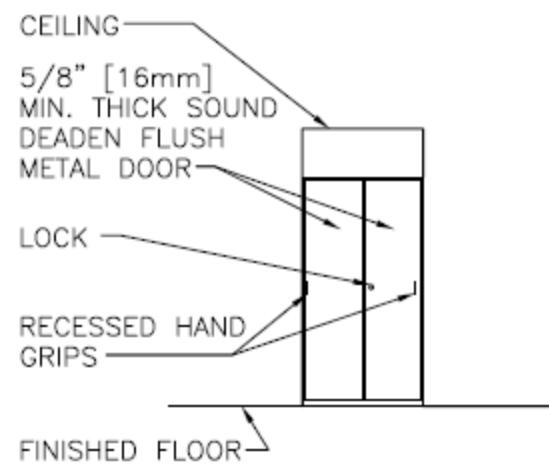
SECTION 'A-A'



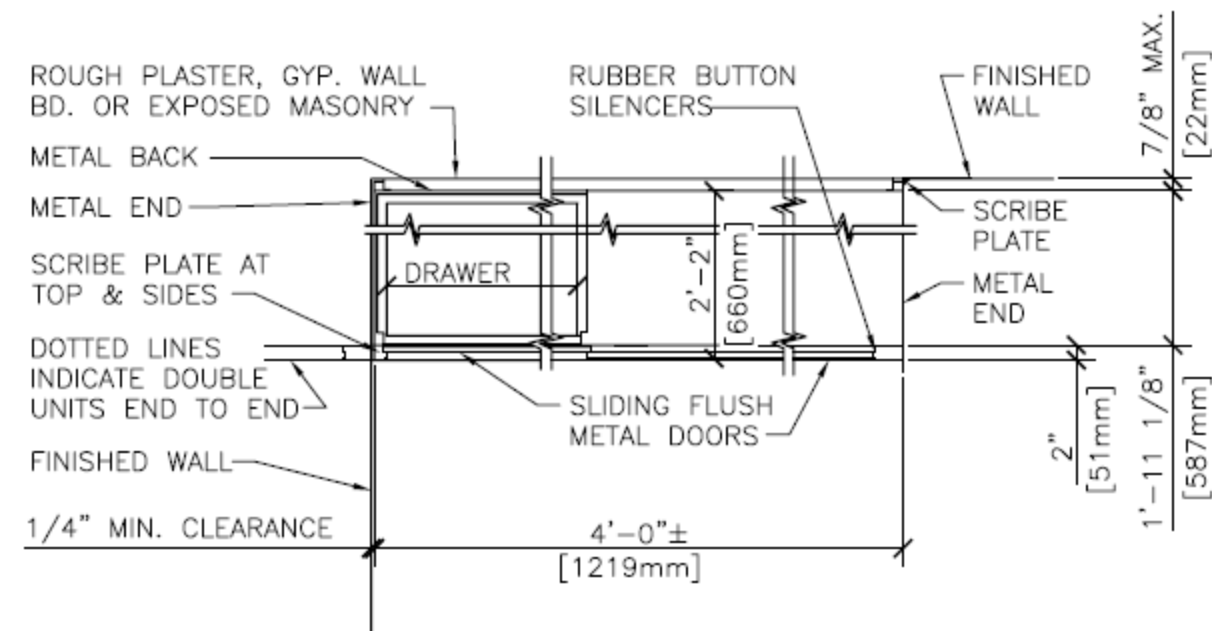
SECTION 'B-B'



PLAN C



ELEVATION OF  
SLIDING DOORS



DETAIL TITLE / WARDROBE CABINET - TYPE 22G

SCALE : NONE

DATE ISSUED: DECEMBER 2008

CAD DETAIL NO.: SD123100-02.DWG

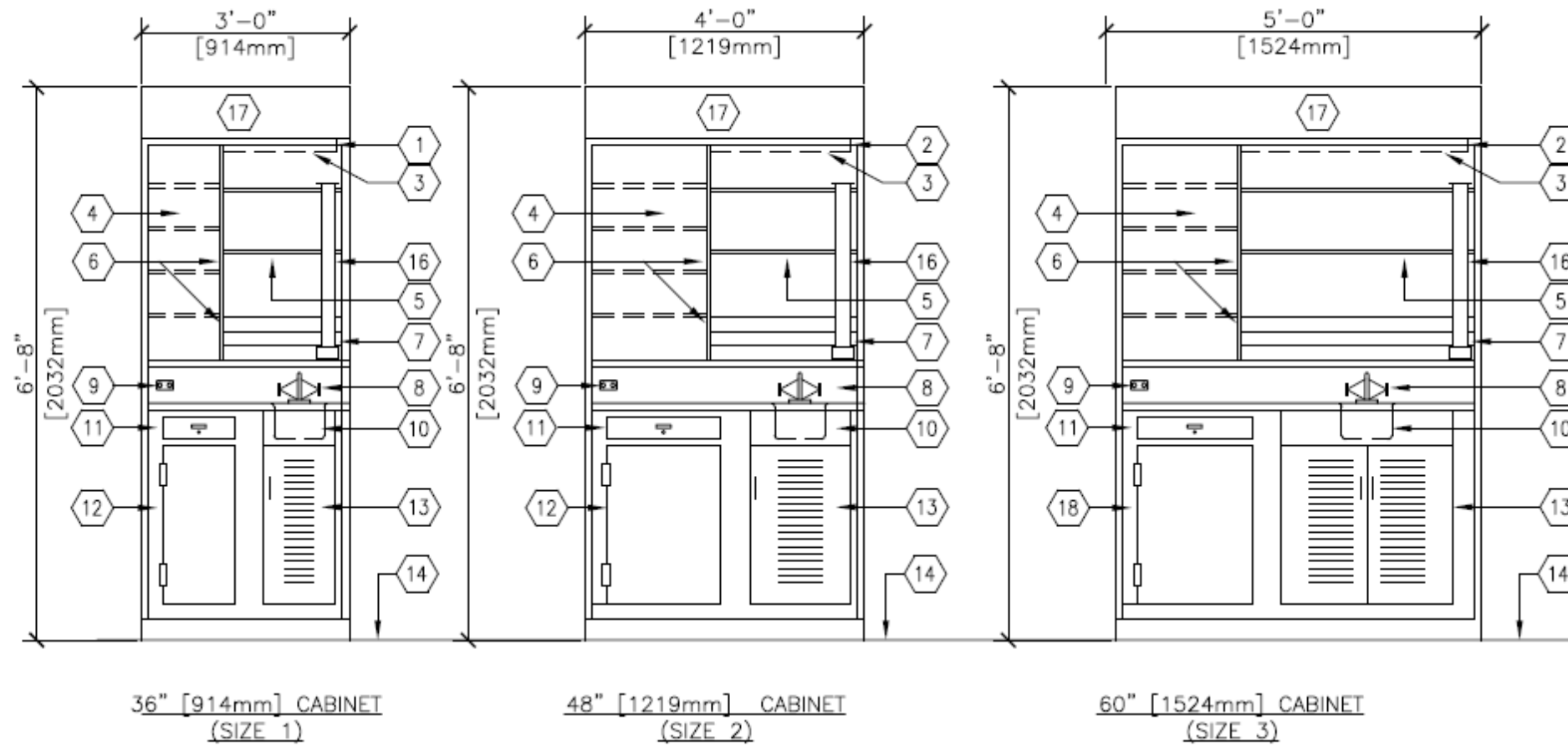


# WARDROBE CABINET - TYPE 5A

NTS

Department of  
Veterans Affairs

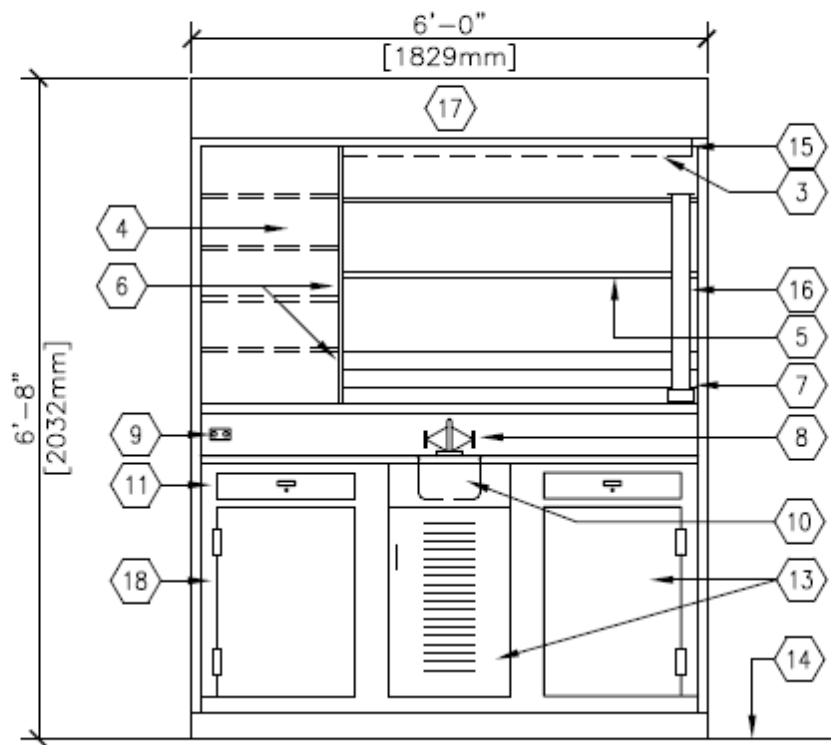




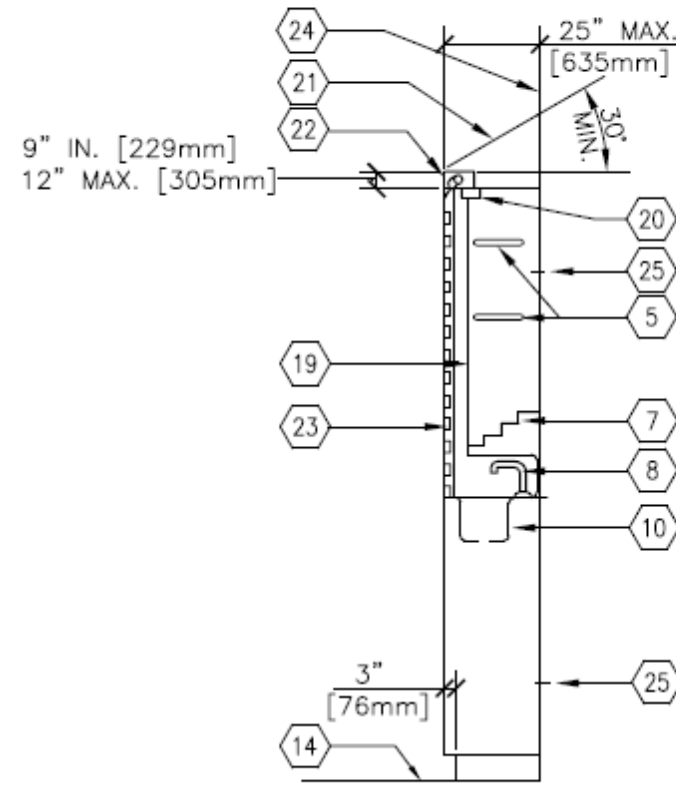
36" [914mm] CABINET  
(SIZE 1)

48" [1219mm] CABINET  
(SIZE 2)

60" [1524mm] CABINET  
(SIZE 3)



72" [1829mm] CABINET  
(SIZE 4)



TYPICAL SECTION

KEYED NOTES

1. ONE TUBE 18" [457mm] LONG WITH PLASTIC LENS
2. ONE TUBE 24" [610mm] LONG WITH PLASTIC LENS
3. FLUORESCENT LIGHT
4. NARCOTICS LOCKER WITH ADJUSTABLE MET SHELVES
5. ADJUSTABLE METAL SHELVES
6. OUTER & INNER DOOR LOCKS
7. TIERED MEDICINE SHELF
8. SWING FAUCET
9. DUPLEX OUTLET
10. SINK
11. DRAWER WITH LOCK
12. REFRIGERATOR 2.5 CU FT MIN.
13. STORAGE CABINET
14. FINISHED FLOOR
15. ONE TUBE 24" [610mm] LONG, OR ONE TUBE 48" [1219mm] LONG WITH PLASTIC LENS.
16. CUP DISPENSER.
17. HOOD
18. REFRIGERATOR 3.5 CU. FT. MIN.
19. MEDICINE CARD RACK.
20. MFGR. SHALL PROVIDE STD. SIZE LIGHT TO MEET PROPER RECOMMENDED REQUIREMENTS.
21. SLOPING METAL TOP OR FURRED-IN CABINET (TO BE DETERMINED BY ARCH).
22. HOOD FOR DOOR. MECHANISM IN HOOD MUST BE ACCESSIBLE FOR REPAIRS. NOTE: DOOR MUST COIL UP IN HOOD.
23. ROLL-UP DOOR ALUM. DOOR WITH LOCKING HANDLE (DOOR DROPS TO COUNTER TOP IN DOWN POSITION).
24. FACE OF WALL.
25. ANCHORAGE DETAIL 05 50 00-02.



MEDICINE CABINETS - TYPE 18C

NTS

DETAIL TITLE / MEDICINE CABINETS - TYPE 18C  
SIZES 1, 2, 3 & 4

SCALE : NONE

DATE ISSUED: DECEMBER 2008

CAD DETAIL NO.: SD123570.21-01.DWG

Department of  
Veterans Affairs

