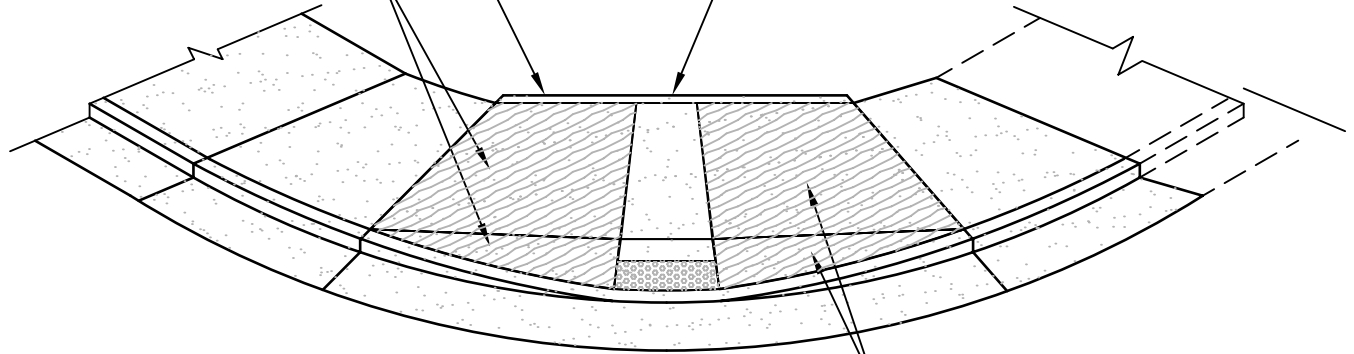


RAMP CURB HEIGHT TO
MATCH ADJACENT BACK OF
SIDEWALK ELEVATION

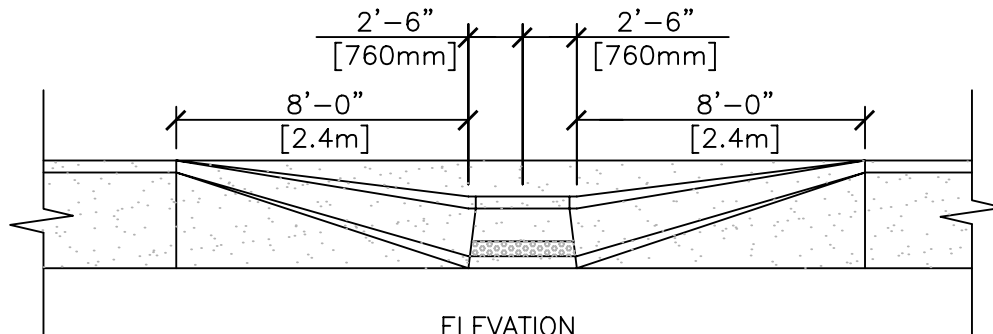
ROUGH BROOM FINISH
USE RIPPLE PATTERN

RAMP CURB

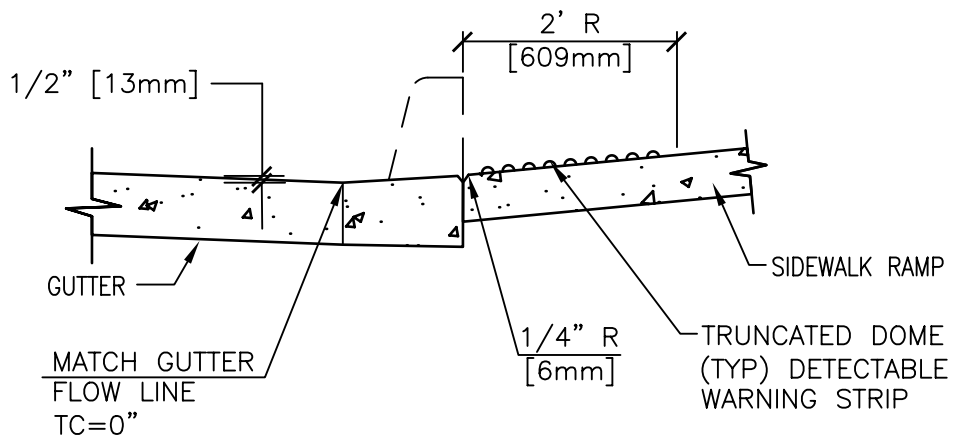


ROUGH BROOM FINISH
USE RIPPLE PATTERN

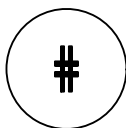
PERSPECTIVE



ELEVATION
DEPRESSED CURB AT SIDEWALK RAMP



TRUNCATED DOME DETAIL



CURB ACCESS RAMP

NTS



Department of
Veterans Affairs

DETAIL TITLE / CURB ACCESS RAMP

SCALE : NONE

DATE ISSUED: DECEMBER 2008

CAD DETAIL NO.: SD320523-11.DWG