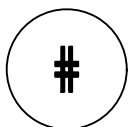
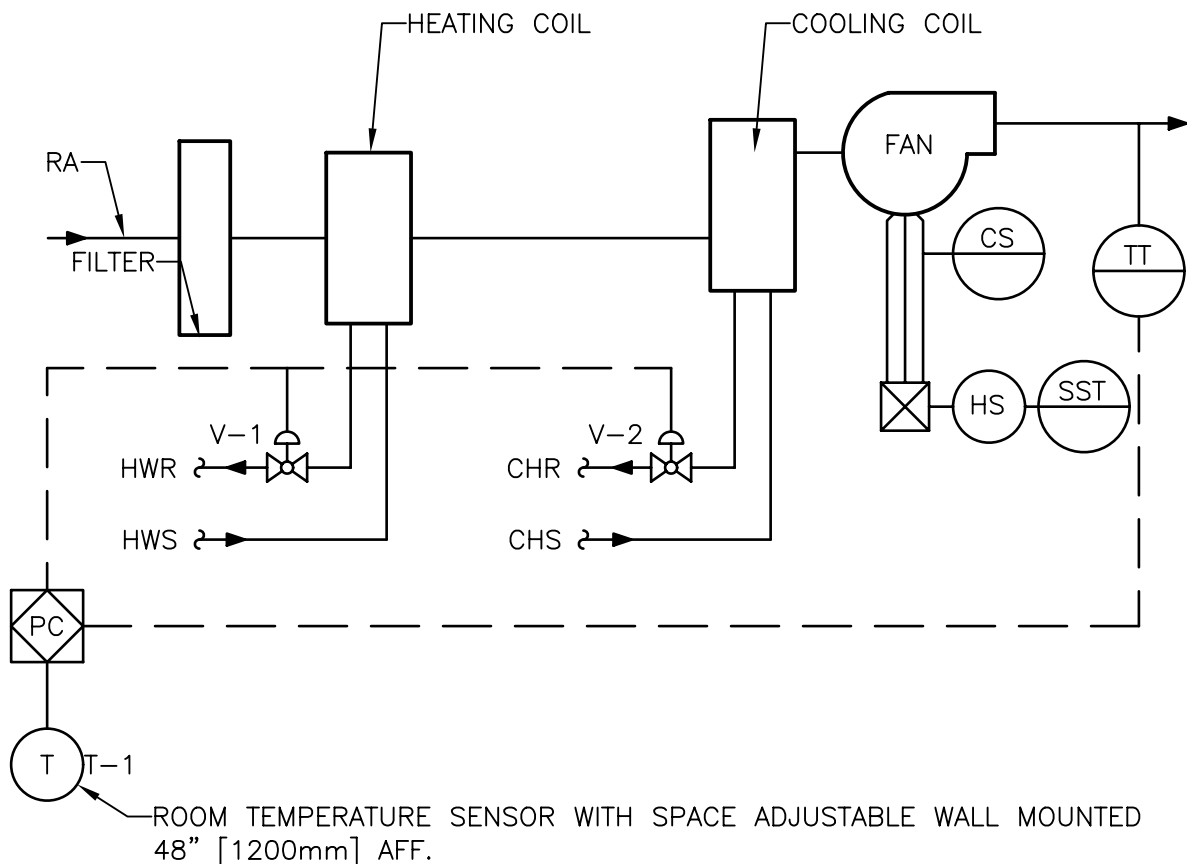


FAN COIL SEQUENCE OF OPERATION (PATIENT ROOMS)

FAN COIL UNIT SHALL OPERATE ON A SCHEDULE AS SET BY THE ECC. FAN SHALL RUN CONTINUOUSLY. FAN STATUS SHALL BE MONITORED AND AN ALARM MESSAGE SHALL BE GENERATED IN THE EVENT THE UNIT FAILS TO RUN. THE ADJUSTABLE ROOM TEMP SET POINT WILL BE 70°-75° WITH 0.5° HEATING/COOLING OFFSETS. VALVE V-1 & V-2 WILL NOT BE OPEN SIMULTANEOUSLY. ROOM OCCUPANT WILL HAVE ABILITY OF ADJUSTING ROOM TEMPERATURE BETWEEN 70°-75°.

FAN COIL SEQUENCE OF OPERATION (NONPATIENT ROOMS)

FAN COIL SHALL OPERATE ON A SCHEDULE AS SET BY ECC. FAN SHALL RUN CONTINUOUSLY IN OCCUPIED MODE. FAN STATUS SHALL BE MONITORED AND AN ALARM MESSAGE SHALL BE GENERATED IN THE EVENT THE UNIT FAILS TO RUN BETWEEN THE RANGE OF 70°-75° SPACE TEMPERATURE BOTH V-1 & V-2 SHALL BE CLOSED. UPON RISE IN TEMPERATURE ABOVE 75° V-2 SHALL MODULATE OPEN TO MAINTAIN 75° F. UPON FALL IN TEMPERATURE BELOW 70° F. HEATING VALVE V-1 SHALL MODULATE TO OPEN TO MAINTAIN 70° F.



**FOUR PIPE FAN COIL UNIT CONTROLS**

NTS



Department of  
Veterans Affairs

DETAIL TITLE / FOUR PIPE FAN COIL UNIT CONTROLS

SCALE :NONE

DATE ISSUED : DECEMBER 2008

CADD DETAIL NO. : SD238200-03.DWG