



Department of
Veterans Affairs

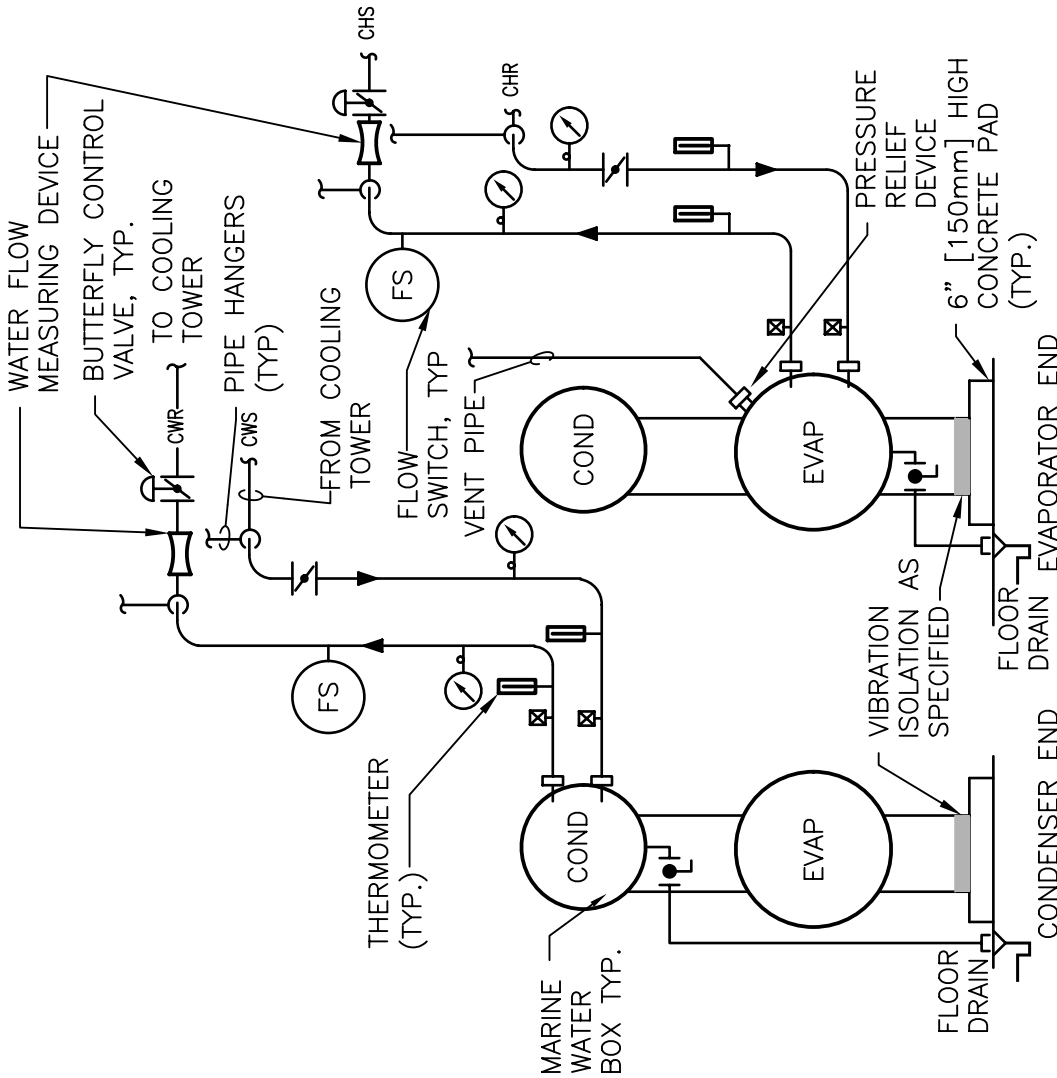
DETAIL TITLE / WATER COOLED CHILLER -
PIPING CONNECTIONS

SCALE :NONE

DATE ISSUED: DECEMBER 2008

CAD DETAIL NO.:

SD236400-02.DWG



NOTE:

1. DRAIN ALL LOW POINTS OF SYSTEMS TO NEAREST FLOOR DRAIN.
2. PROVIDE MARINE WATER BOXES FOR BOTH CONDENSER AND EVAPORATOR.
3. COLLECT VENT PIPES FROM ALL REFRIGERANT PRESSURE RELIEF DEVICES AND EXTEND TO EXTERIOR OF BUILDING IN ACCORDANCE WITH ASHRAE STANDARD 15. HEADER SIZE TO EQUAL OR EXCEED TOTAL AREA OF DEVICES CONNECTED TO THE HEADER.
4. PROVIDE MODULATING BUTTERFLY VALVES ON BOTH CHWR & CWR. VALVES CONTROLLED BY ECC.
5. FOR PIPING 6" AND BELOW, MECHANICAL COUPLINGS ARE OPTIONAL. ABOVE 6", WELDED PIPE WITH FLANGES IS THE ONLY APPROVED JOINING METHOD.

WATER COOLED CHILLER - PIPING CONNECTIONS

#

NTS