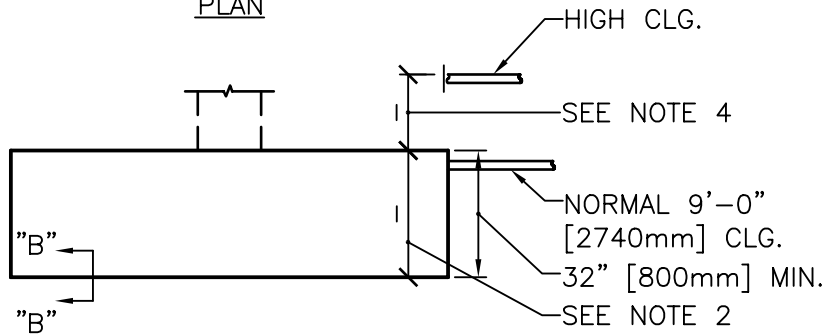
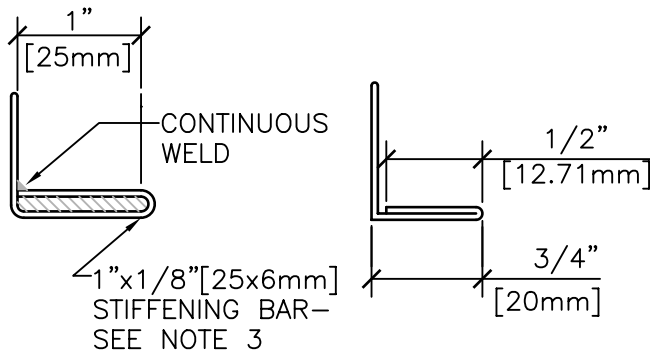


PLAN

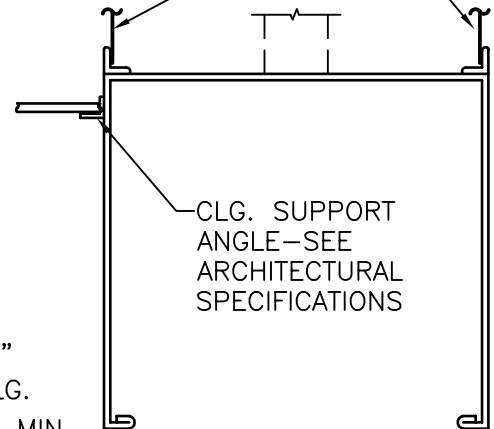


FRONT ELEVATION



SECTION "B-B"

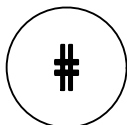
SUPPORT ANGLES OR STANDING SEAMS SECURE TO STRUCTURE TO ABOVE AS RECOMMENDED BY SMACNA



SECTION "A-A"

**NOTES:**

1. HOODS SHALL BE STAINLESS STEEL, SEE SPECIFICATIONS. FOR HOOD SIZE & LOCATION SEE EQUIPMENT SCHEDULE. FOR EXHAUST DUCT CONNECTIONS – SEE FLOOR PLANS.
2. ALL HOODS SHALL BE 6'-6" [2m] ABOVE FINISHED FLOOR UNLESS OTHERWISE NOTED. HOODS OVER URNS SHALL BE 7'-6" [2.3m] MINIMUM ABOVE FINISHED FLOOR.
3. HOODS OVER 6'-0" [1.9m] LONG WITH 2 OR MORE SECTIONS, SHALL HAVE INSIDE STANDING SEAM AND 1"x1/8" [25x6mm] STIFFENING BAR – SEE SECTION "B-B".
4. EXTEND SIDE & END SHEET TO SUIT HIGH CEILING WHEN REQUIRED.
5. DETAIL SHOWS HOOD IN OPEN SPACE. WHEN HOOD IS INSTALLED AT WALL OR PARTITION SECURE TO WALL OR PARTITION WITH EXPANSION BOLTS.



**HOOD TYPE "A"**

NTS

**DESIGNER'S NOTE:**

VERIFY ALL DIMENSIONS. SEE ARCHITECTURAL FLOOR PLANS FOR REQUIRED HOOD LOCATIONS.



Department of Veterans Affairs

DETAIL TITLE / HOOD TYPE "A"

SCALE :NONE

DATE ISSUED :DECEMBER 2008

CADD DETAIL NO. : SD233100-19.DWG