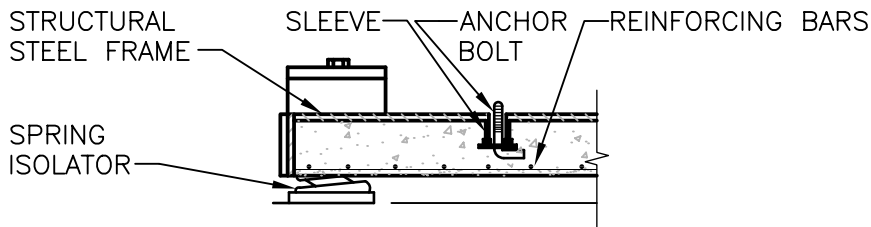
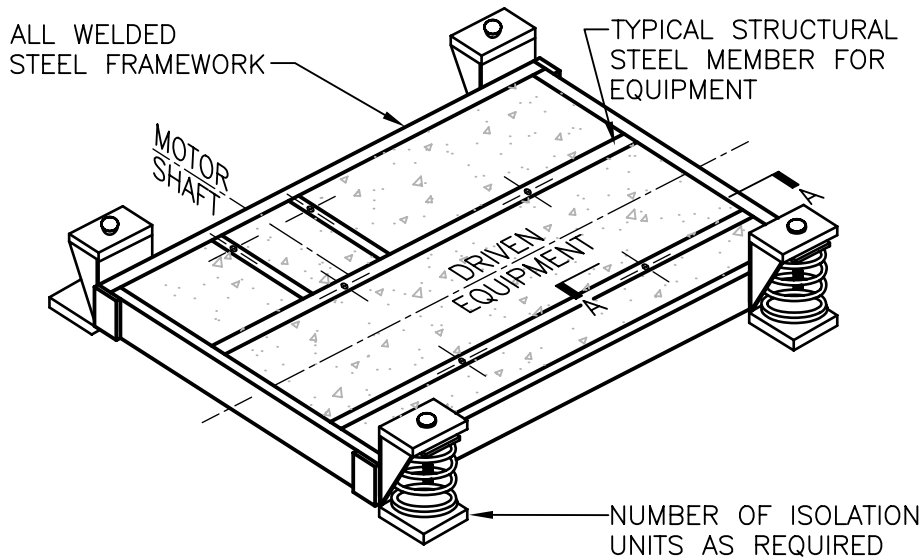


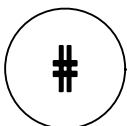
TYPE "B"  
WELDED STEEL BASE



SECTION A-A



TYPE "1"  
CONCRETE INERTIA BASE



# VIBRATION ISOLATION BASES

NTS



Department of  
Veterans Affairs

DETAIL TITLE / VIBRATION ISOLATION BASES

SCALE : NONE

DATE ISSUED : DECEMBER 2008

CADD DETAIL NO. : SD230541-01.DWG