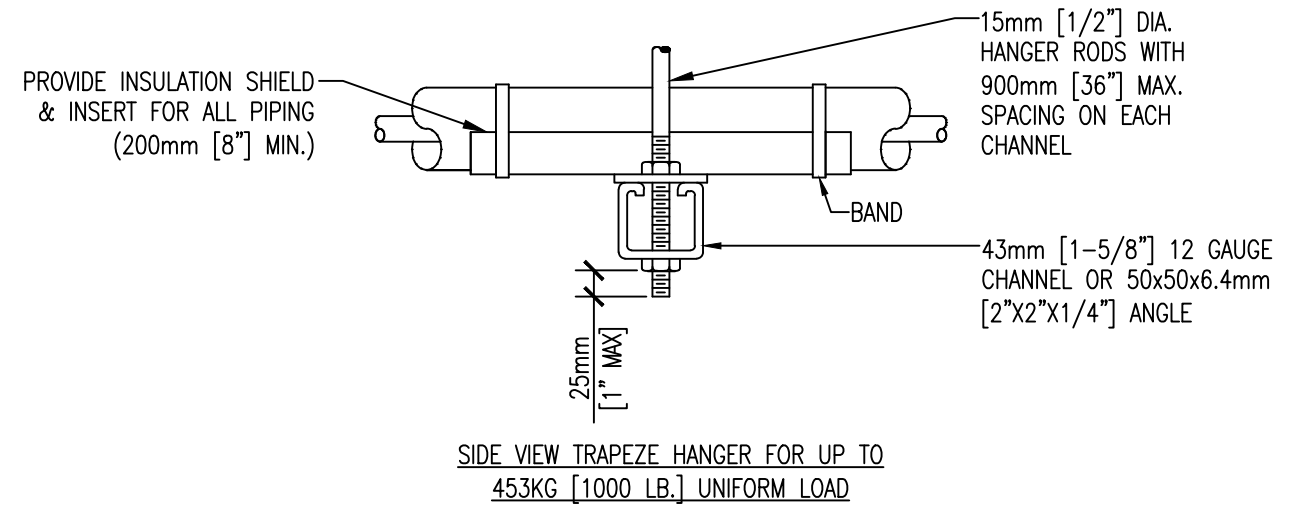


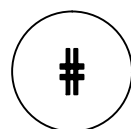
**DESIGNER'S NOTE:**  
SHOW ON THE DRAWINGS OTHER SPECIFIED AND SPECIAL PIPE SUPPORTS WHERE REQUIRED.

**NOTES:**  
SEE SPECIFER FOR DETAILED HANGER REQUIREMENTS



MAXIMUM PIPE/TUBING SUPPORT SPACING																			
NOM. SIZE	mm [IN]	THRU 20 [THRU 3/4]	25 [1]	32 [1 1/4]	40 [1 1/2]	50 [2]	65 [2 1/2]	75 [3]	100 [4]	125 [5]	150 [6]	200 [8]	250 [10]	300 [12]	350 [14]	400 [16]	450 [18]	500 [20]	600 [24]
PIPE	mm [FT]	2100 [7]	2100 [7]	2100 [7]	2700 [9]	3000 [10]	3400 [11]	3700 [12]	4100 [14]	4900 [16]	5200 [17]	5800 [19]	6700 [22]	7000 [23]	7600 [25]	8200 [27]	8500 [28]	9100 [30]	9600 [32]
TUBING	mm [FT]	1500 [5]	1800 [6]	2100 [7]	2400 [8]	2400 [8]	2700 [9]	3000 [10]	3700 [12]	4000 [13]	4100 [14]	4900 [16]	-	-	-	-	-	-	-

NOTE: FOR TRAPEZE HANGER TAKE SPACING OF SMALLEST SIZE ON TRAPEZE.



# PIPE HANGERS

NTS