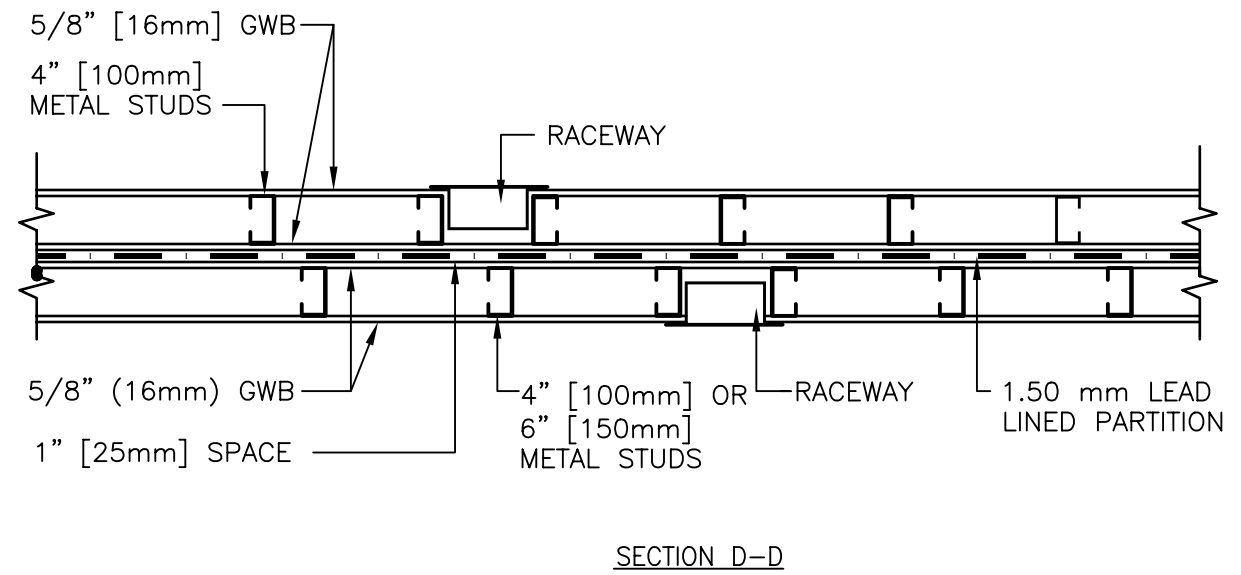


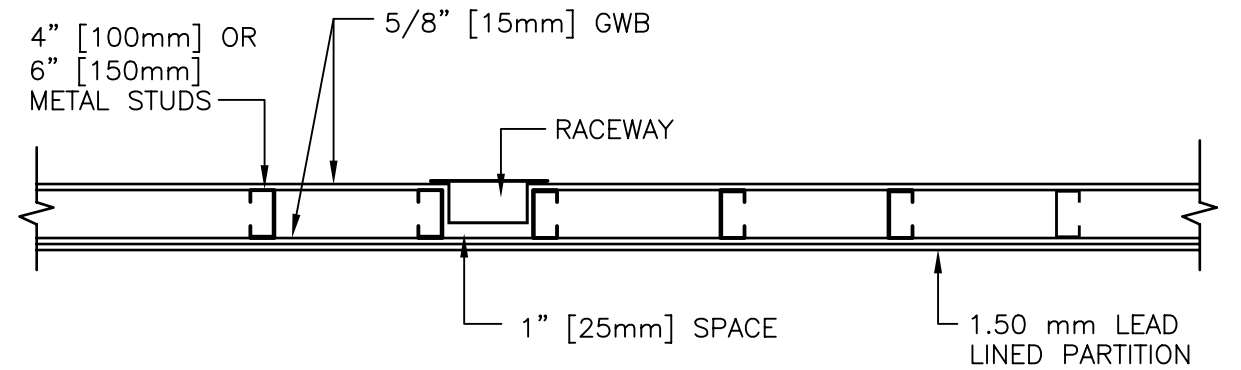
PLAN

GENERAL NOTES:

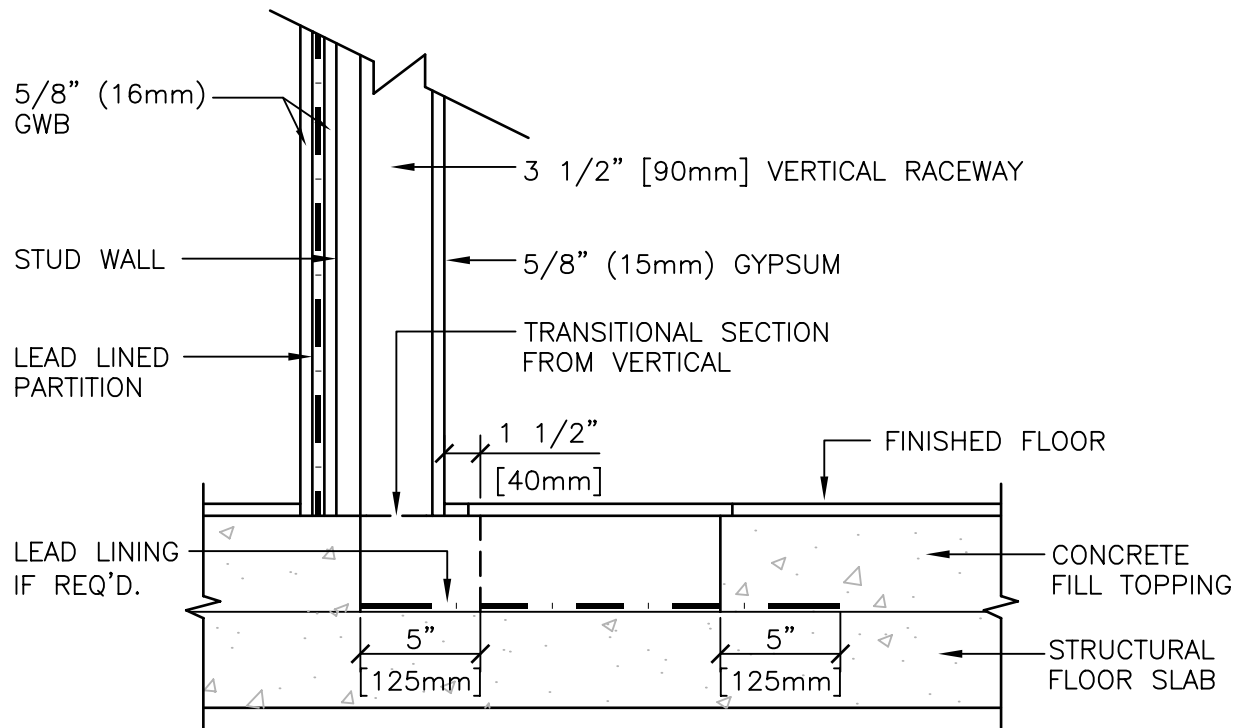
1. VERTICAL & HORIZONTAL RACEWAYS REQUIRE A 6" [152mm] DEPTH WHERE THERE IS A 3.5" [115mm] TOPPING & DEPRESS THE SLAB 2.5" [65mm]. WHERE THE SLAB DOES NOT HAVE A TOPPING, DEPRESS THE SLAB 6" [152mm].
2. RACEWAY CORNERS ARE BEVELED AT 45 DEGREES TO FACILITATE CONDUIT INSTALLATION.
3. 6" [152mm] LEAD LINED PARTITION AT THE ENTIRE PERIMETER.



SECTION D-D



SECTION E-E



SECTION F-F

DETAIL TITLE / DOD / VA UNIVERSAL X-RAY
(R-F) ROOM
PLAN AND SECTIONS

SCALE : NONE

DATE ISSUED : DECEMBER 2008

CADD DETAIL NO. : SD134900-03.DWG

