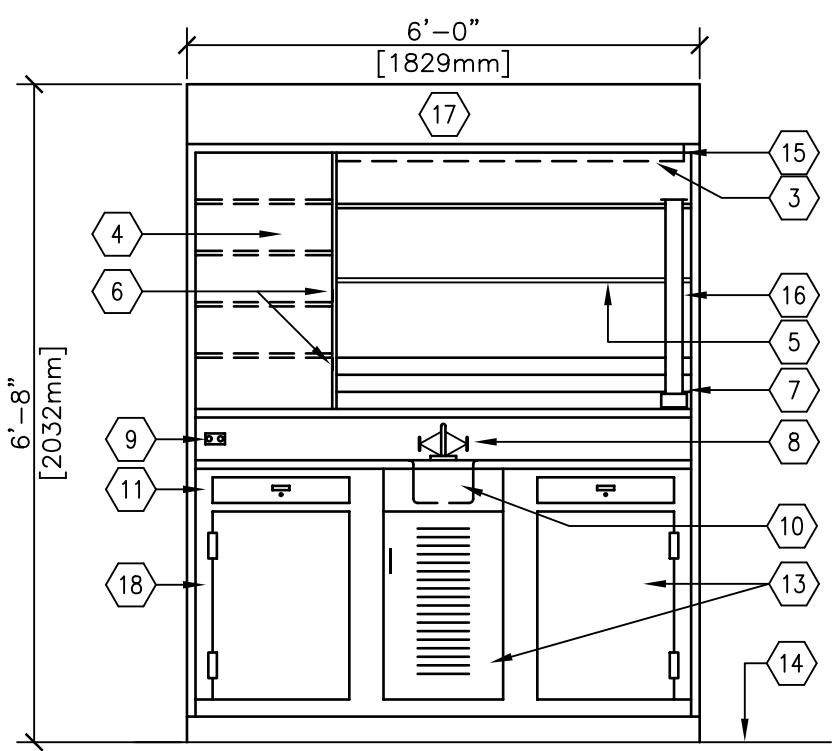


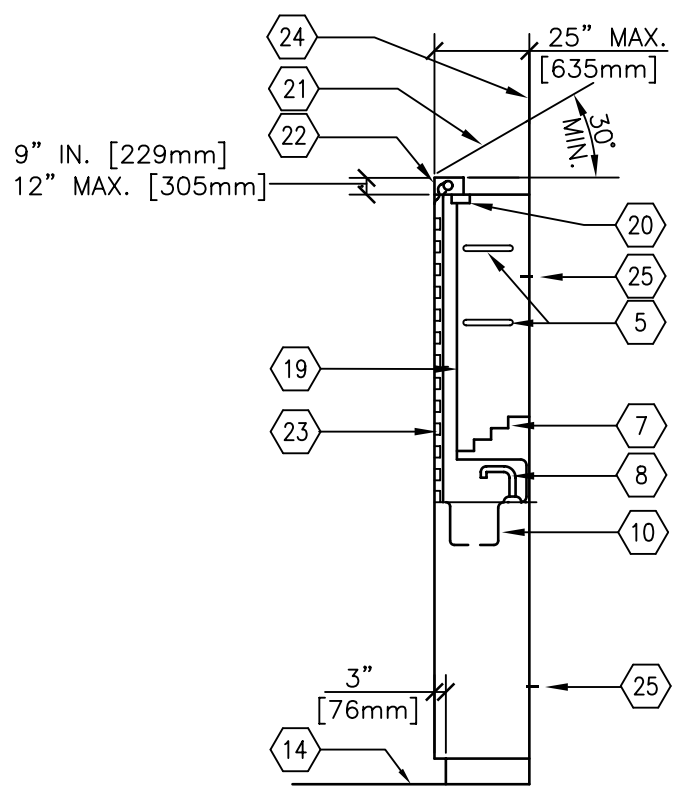
36" [914mm] CABINET
(SIZE 1)

48" [1219mm] CABINET
(SIZE 2)

60" [1524mm] CABINET
(SIZE 3)



72" [1829mm] CABINET
(SIZE 4)



TYPICAL SECTION

- KEYED NOTES**
- ONE TUBE 18" [457mm] LONG WITH PLASTIC LENS
 - ONE TUBE 24" [610mm] LONG WITH PLASTIC LENS
 - FLUORESCENT LIGHT
 - NARCOTICS LOCKER WITH ADJUSTABLE MET SHELVES
 - ADJUSTABLE METAL SHELVES
 - OUTER & INNER DOOR LOCKS
 - TIERED MEDICINE SHELF
 - SWING FAUCET
 - DUPLEX OUTLET
 - SINK
 - DRAWER WITH LOCK
 - REFRIGERATOR 2.5 CU FT MIN.
 - STORAGE CABINET
 - FINISHED FLOOR
 - ONE TUBE 24" [610mm] LONG, OR ONE TUBE 48" [1219mm] LONG WITH PLASTIC LENS.
 - CUP DISPENSER.
 - HOOD
 - REFRIGERATOR 3.5 CU. FT. MIN.
 - MEDICINE CARD RACK.
 - MFGR. SHALL PROVIDE STD. SIZE LIGHT TO MEET PROPER RECOMMENDED REQUIREMENTS.
 - SLOPING METAL TOP OR FURRED-IN CABINET (TO BE DETERMINED BY ARCH).
 - HOOD FOR DOOR. MECHANISM IN HOOD MUST BE ACCESSIBLE FOR REPAIRS. NOTE: DOOR MUST COIL UP IN HOOD.
 - ROLL-UP DOOR ALUM. DOOR WITH LOCKING HANDLE (DOOR DROPS TO COUNTER TOP IN DOWN POSITION).
 - FACE OF WALL.
 - ANCHORAGE DETAIL 05 50 00-02.

MEDICINE CABINETS - TYPE 18C
NTS

DETAIL TITLE / MEDICINE CABINETS - TYPE 18C
SIZES 1, 2, 3 & 4

