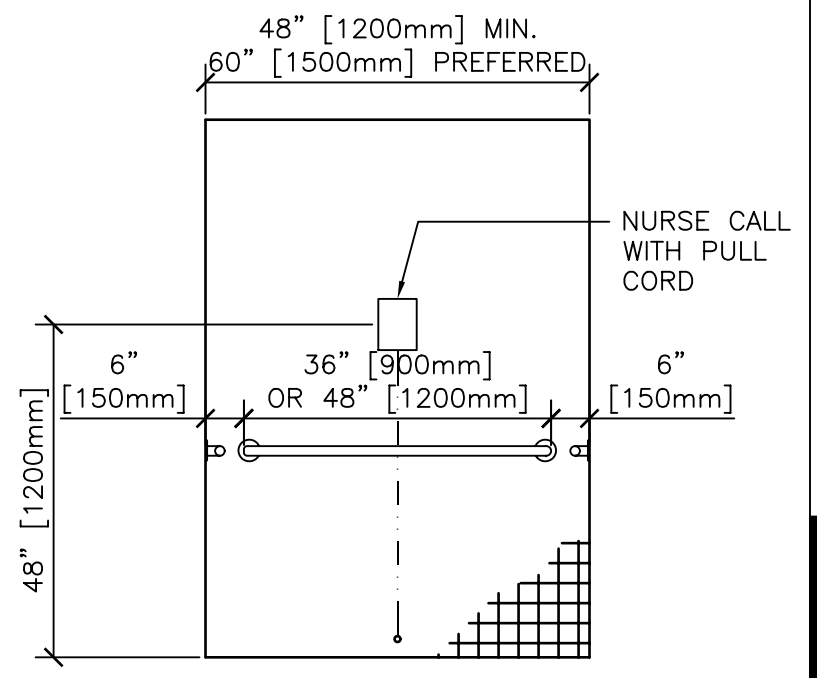
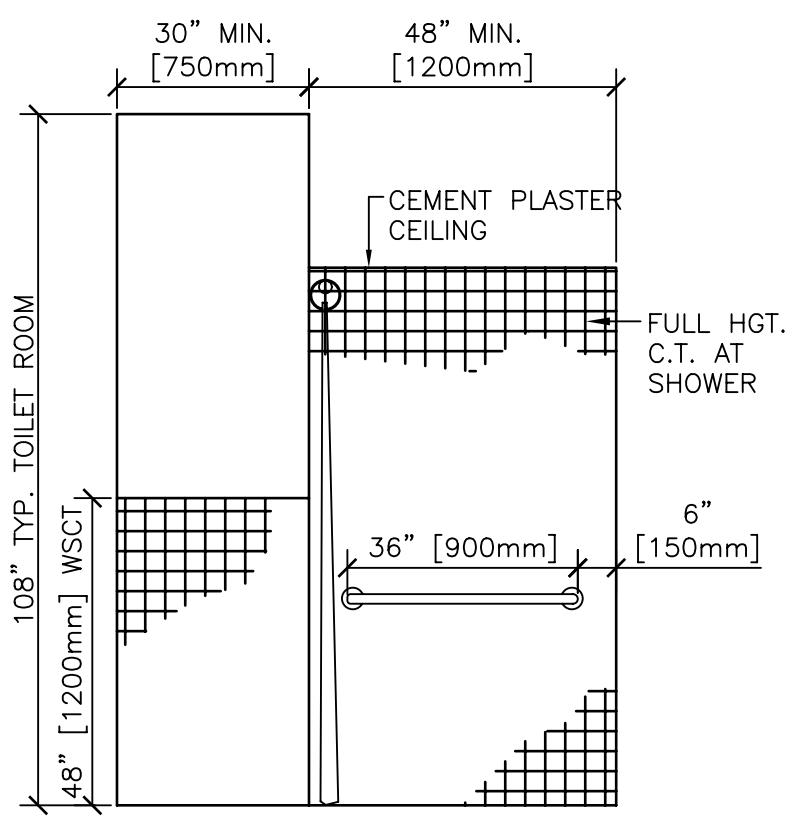
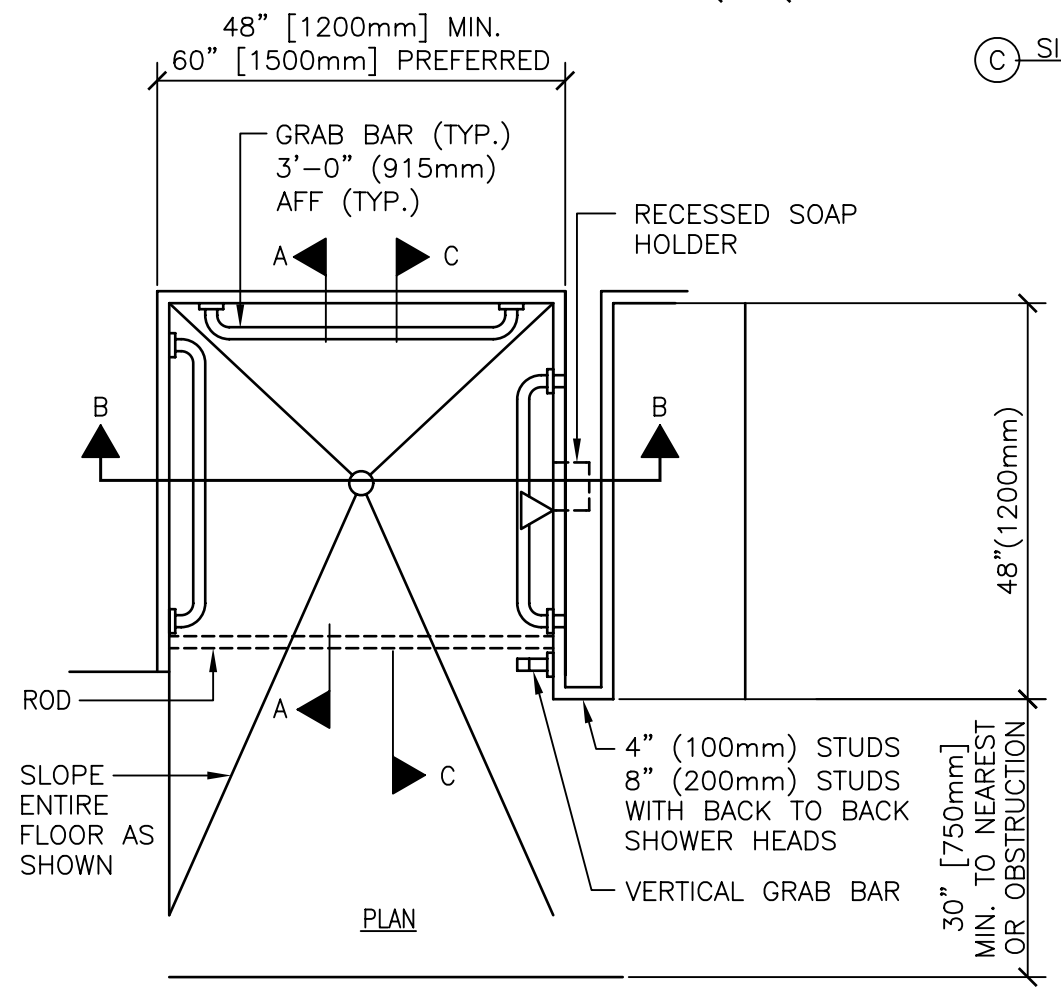
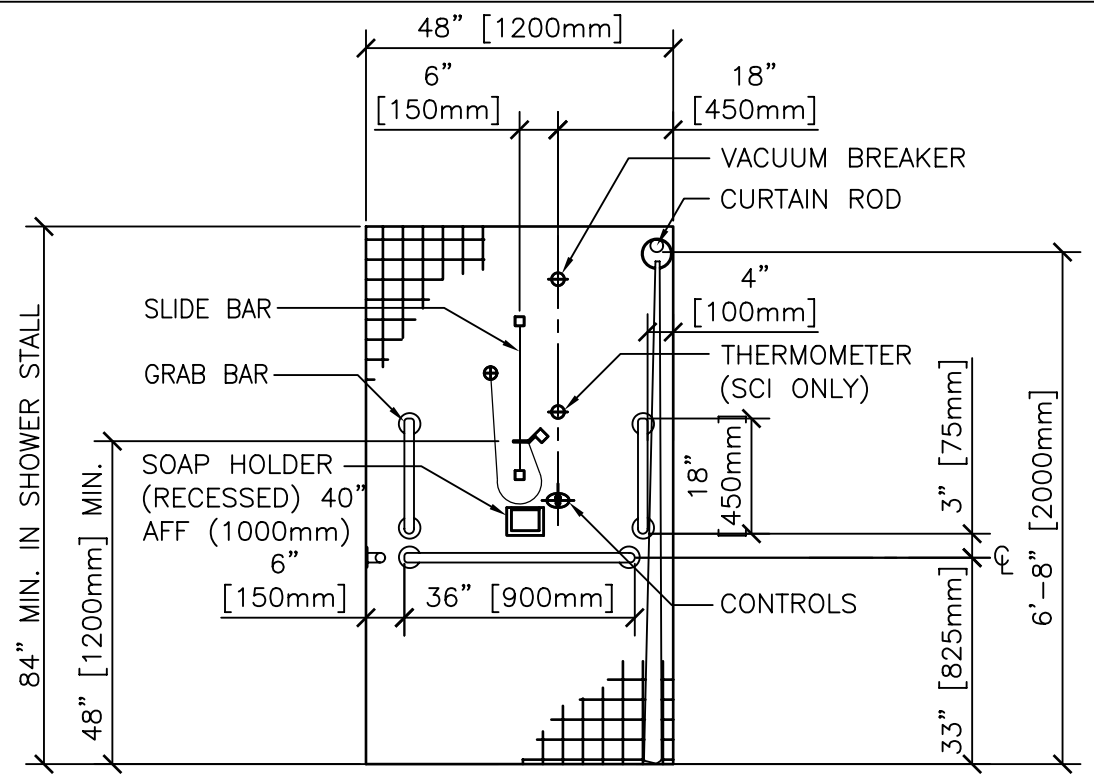


NOTES:

VA BARRIER FREE DESIGN GUIDE PG-18-13 SPECIFIES MINIMUM 48"x48" [1200x1200mm] ROLL-IN TYPE SHOWER FOR PATIENT BATHING. 90% OF INDIVIDUAL SHOWERS IN MEDICAL-SURGICAL NURSING UNITS (MSN) AND NURSING HOME CARE UNITS (NHCU) SHOULD BE THIS SIZE TO FACILITATE USE OF WHEELCHAIRS, SHOWER SEATS, AND ASSISTED BATHING.

TRANSFER TYPE 36"x36" [900x900mm] AND 30"x60" [750x1500mm] ROLL-IN LITTER SHOWERS MAY BE USED FOR MENTAL HEALTH (MH&B) UNITS, DOMICILIARY, AND STAFF FACILITIES. REFER TO CHAPTER 6 OF THE ADA-ABA ACCESSIBILITY GUIDELINES FOR CRITICAL DIMENSIONS AND GRAB BAR AND ACCESSORY LOCATIONS.

A/E SHALL CAREFULLY COORDINATE FLOOR SLOPES AND DRAIN LOCATIONS TO CONTAIN AND CONTROL WATER FROM THE SHOWER. IN NEW CONSTRUCTION USE 3" [75mm] SLAB DEPRESSION AT SHOWER AND ADJOINING TOILET OR DRYING AREA.



**# PATIENT ACCESSIBLE SHOWER ROLL-IN**  
NTS