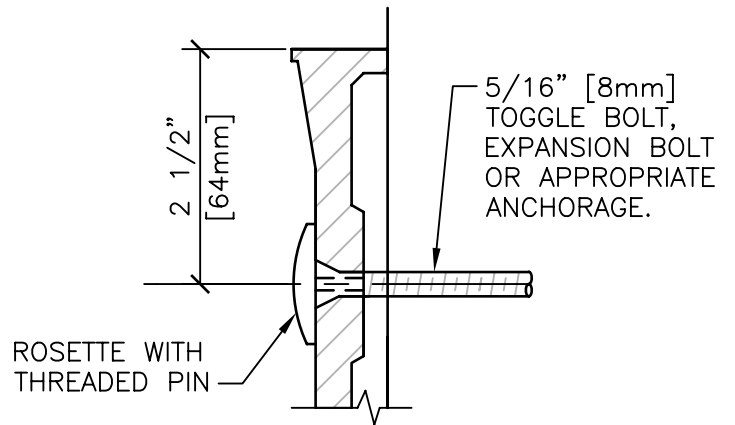


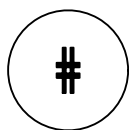
ELEVATION OF PLAQUE



DETAIL OF FASTENING

GENERAL NOTES:

1. LOCATE PLAQUE IN LOBBY OR A LOCATION SELECTED BY THE PROJECT DIRECTOR.
2. PLAQUE WILL BE FURNISHED BY THE VA & INSTALLED BY THE GENERAL CONTRACTOR.



DEDICATION PLAQUE

NTS



Department of
Veterans Affairs

DETAIL TITLE / DEDICATION PLAQUE

SCALE :NONE

DATE ISSUED: DECEMBER 2008

CAD DETAIL NO.: SD101400-02.DWG