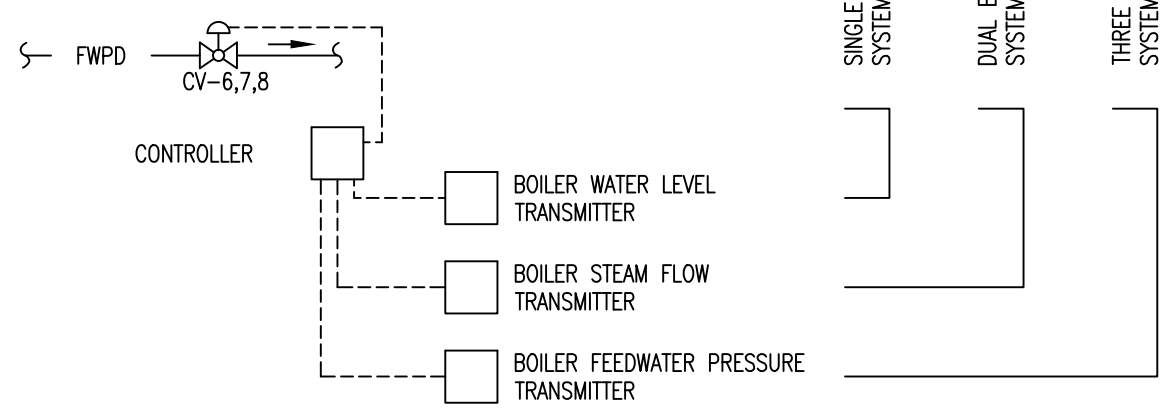
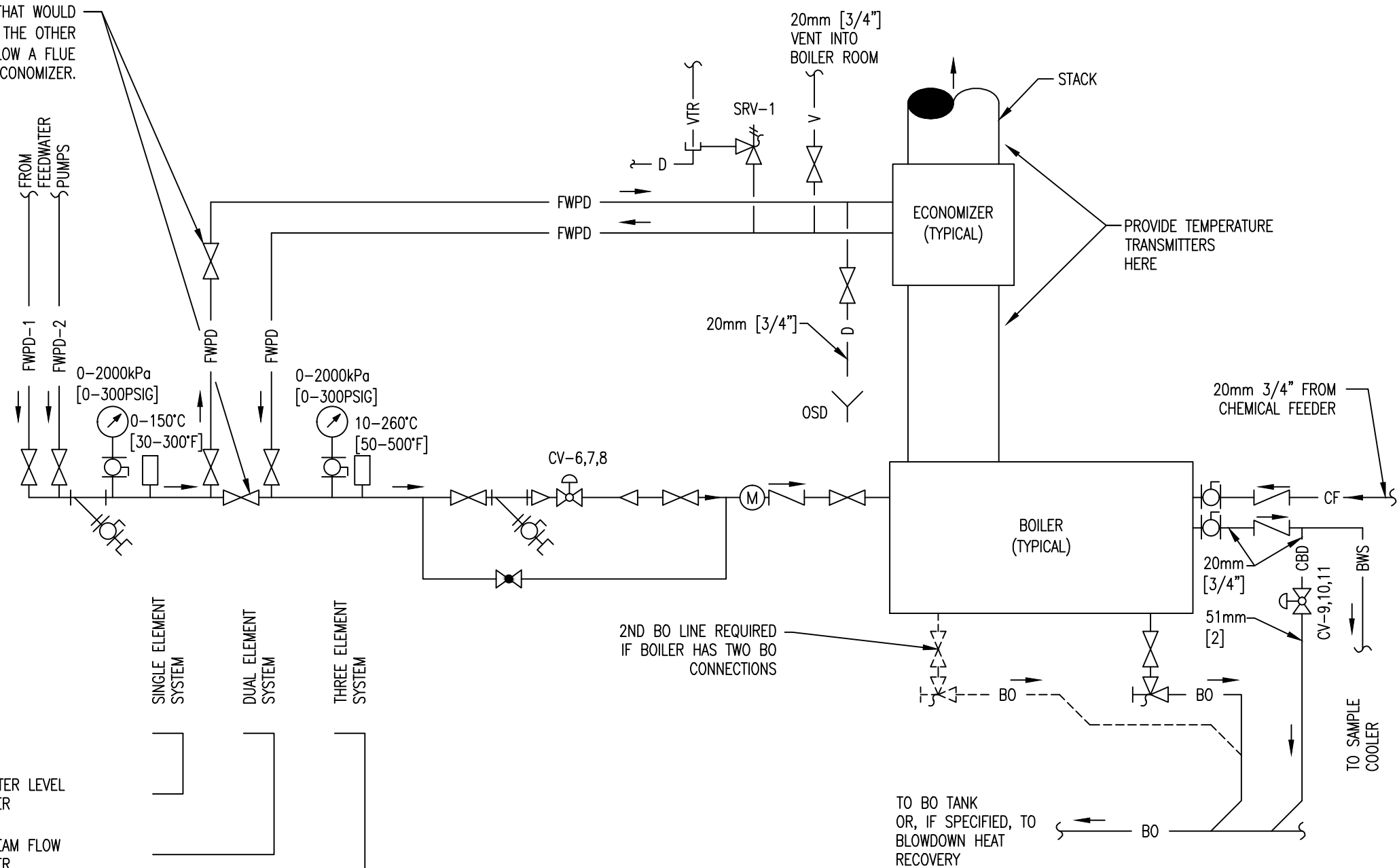


PROVIDE CONTROL VALVES HERE THAT WOULD MODULATE IN UNISON (ONE OPENS, THE OTHER ONE CLOSES) TO PREVENT TOO LOW A FLUE GAS TEMPERATURE OUT OF THE ECONOMIZER.



BOILER WATER LEVEL CONTROL SCHEMATIC
(SEE SPECS FOR TYPE OF SYSTEM)

DESIGNER'S NOTE:
SEE SD232111-04 BASIC FLOW DIAGRAM - CONDENSATE AND BOILER FEEDWATER FOR COMPLETE SYSTEM.

DETAIL TITLE: BOILER FLOW DIAGRAM

SCALE : NONE

DATE ISSUED: 11/01/2017

CAD DETAIL NO.: SD232111-08.DWG

BOILER FLOW DIAGRAM

NTS

