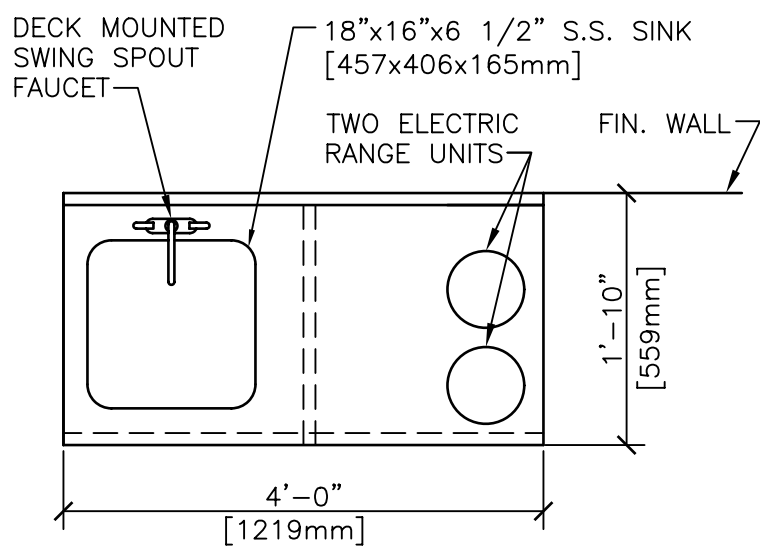
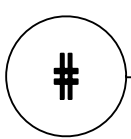


ELEVATION

SECTION



PLAN



KITCHEN CABINET - TYPE 22F

NTS



Department of
Veterans Affairs

DETAIL TITLE / KITCHEN CABINET - TYPE 22F

SCALE :NONE

DATE ISSUED: DECEMBER 2008

CAD DETAIL NO.: SD062000-01.DWG